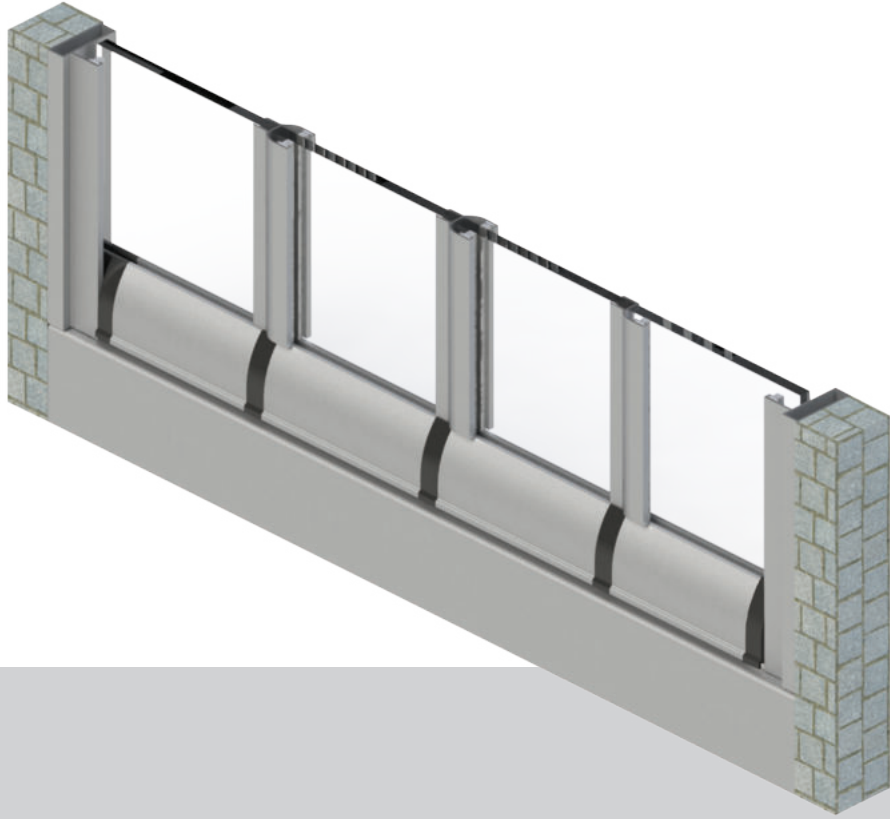
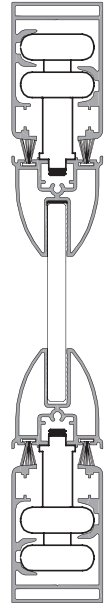
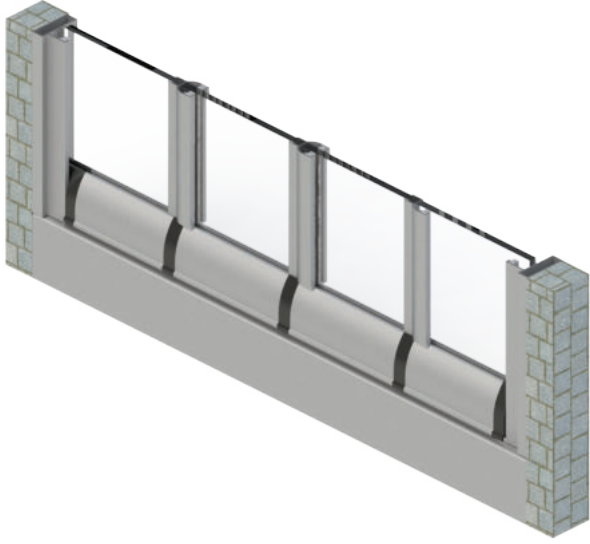




Dış Mekan Sistem
Outdoor System



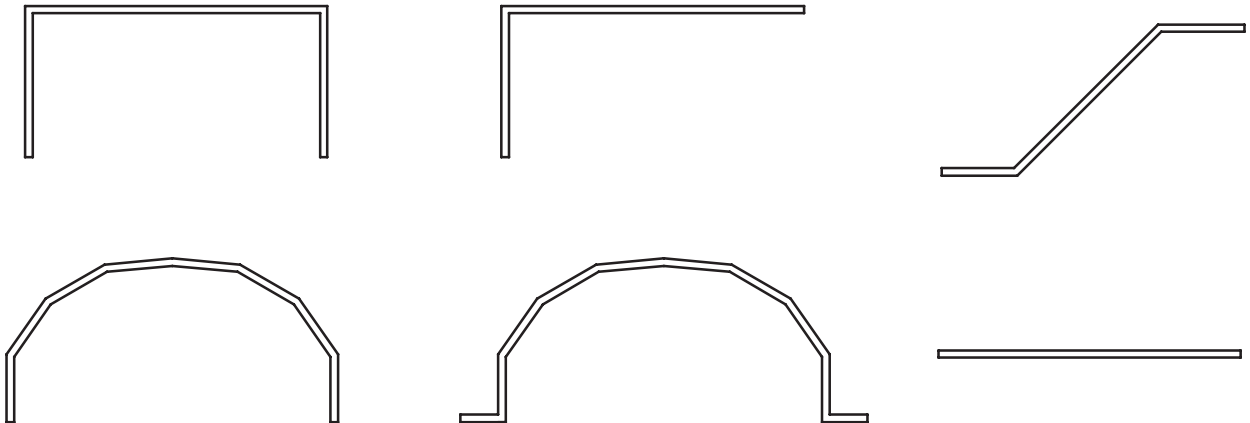
CB40



TEKNİK ÖZELLİKLER / TECHNICAL PROPERTIES

KASA GENİŞLİĞİ / FRAME WIDTH	40 mm
KANAT GENİŞLİĞİ / SASH WIDTH	40 mm
PROFİL ET KALINLIĞI / PROFILE WALL THICKNESS	1,3 mm - 2 mm
CAM KALINLIĞI / GLASS THICKNESS	8 - 10 mm
MAKS. KANAT GENİŞLİĞİ / MAX. SASH WIDTH	600 mm
MAKS. KANAT YÜKSEKLİĞİ / MAX. SASH HEIGHT	2900 mm
MAKS. KANAT AĞIRLIĞI / MAX. SASH WEIGHT	45 kg
MAKS. KANAT SAYISI / MAX. SASH NUMBER	10 Sol / 10 Left - 10 Sağ / 10 Right

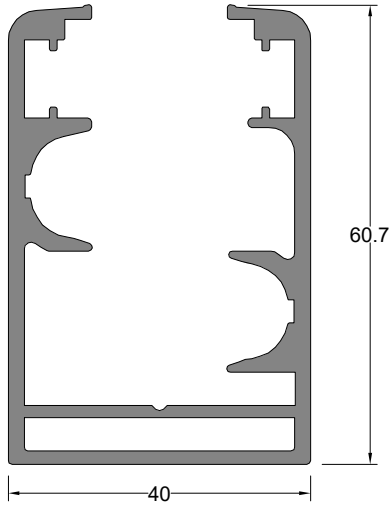
UYGULAMA SEÇENEKLERİ / APPLICATION OPTIONS



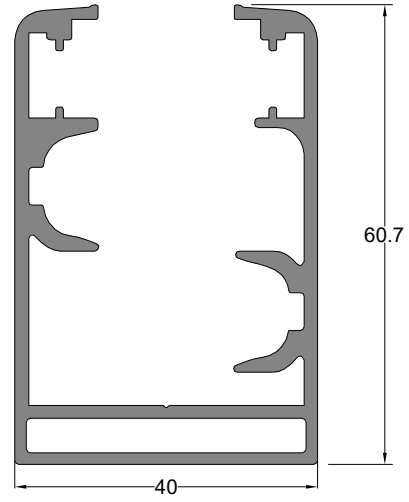
PROFİL KESİTİ PROFILE SECTION	PROFİL KODU PROFILE CODE	PROFİL ADI PROFILE NAME	Jx cm ⁴	Jy cm ⁴	AĞIRLIK (kg/m) WEIGHT
	3962	KASA PROFİLİ FRAME PROFILE	-	-	1,475 kg/m
	10283	KASA PROFİLİ FRAME PROFILE	-	-	1,339 kg/m
	11721	DAMLALIKLI KASA PROFİLİ SILL FRAME PROFILE	-	-	1,468 kg/m
	5883	DAMLALIKLI KASA PROFİLİ SILL FRAME PROFILE	-	-	1,511 kg/m
	3961	KANAT PROFİLİ (8 mm) SASH PROFILE	-	-	0,993 kg/m
	3990	KANAT PROFİLİ (10 mm) SASH PROFILE	-	-	0,991 kg/m
	10282	KANAT PROFİLİ (8 mm) SASH PROFILE	-	-	0,887 kg/m
	3045	YAN DİKME PROFİLİ SIDE POLE PROFILE	-	-	0,515 kg/m
	14125	İSPANYOLETLİ KANAT PROFİLİ ESPAGNOLETTE SASH PROFILE	-	-	0,772 kg/m
	14126	KARŞILIK PROFİLİ OPPOSITE PROFILE	-	-	0,411 kg/m
	7617	DAMLALIK PROFİLİ SILL PROFILE	-	-	0,538 kg/m
	6798	CAM H PROFİLİ (8 mm) GLAZING H PROFILE (8 mm)	-	-	0,204 kg/m
	6799	CAM H PROFİLİ (8 mm) GLAZING H PROFILE (8 mm)	-	-	0,292 kg/m
	7326	CAM H PROFİLİ (8 mm) GLAZING H PROFILE (8 mm)	-	-	0,169 kg/m
	6800	90° CAM H PROFİLİ (8 mm) 90° GLAZING H PROFILE (8 mm)	-	-	0,254 kg/m
	7327	CAM H PROFİLİ (8 mm) GLAZING H PROFILE (8 mm)	-	-	0,142 kg/m
	7861	CAM H PROFİLİ (8 mm) GLAZING H PROFILE (8 mm)	-	-	0,163 kg/m
	7860	CAM H PROFİLİ (8 mm) GLAZING H PROFILE (8 mm)	-	-	0,209 kg/m
	8767	CAM H PROFİLİ (10 mm) GLAZING H PROFILE (10 mm)	-	-	0,144 kg/m
	8766	CAM H PROFİLİ (10 mm) GLAZING H PROFILE (10 mm)	-	-	0,196 kg/m

AKSESUAR ACCESSORY	STOK KODU REFERENCE CODE	AKSESUAR ADI DESCRIPTION	AKSESUAR KODU PRODUCT CODE	PAKET PACK
	13 300139	AYARLI PİM (UZUN) ADJUSTABLE PIN (LONG)	CB40-AP.139	1 pk / 100 ad
	13 300149	AYARLI PİM (KISA) ADJUSTABLE PIN (SHORT)	CB40-AP.149	1 pk / 100 ad
	13 300138	AYARSIZ PİM (UZUN) PIN (LONG)	CB40-AP.138	1 pk / 100 ad
	13 300150	AYARSIZ PİM (KISA) PIN (SHORT)	CB40-AP.150	1 pk / 100 ad
	13 300110	CAM BALKON KİLİT ALT-ÜST (SİYAH) LOCK BOTTOM-TOP (BLACK)	CB40-CBK.110	1 pk / 100 ad
	13 300128	KANAT STOPLAMA SASH STOPPER	CB40-ST.128	1 pk / 100 ad
	13 300129	BONCUK İP BEAD ROPE	CB40-Bİ.129	1 pk / 100 ad
	13 627600	KROM ZİNCİR CHROME ROPE	CB40-KZ.600	1 pk / 10 ad
	13 627300	LÜKS KİLİT ZİNCİR LOCK CHAIN (CHROME)	CB40-LZ.300	1 pk / 10 ad
	13 300160	PLASTİK CAM ÇİTASI (8 mm) PLASTIC GLAZING BEAD (8 mm)	CB40-PÇ.160	1 pk / 50 ad
	13 300164	PLASTİK CAM ÇİTASI BALONLU (8 mm) BUBBLED PLASTIC GLAZING BEAD (8 mm)	CB40-BÇ.164	1 pk / 40 ad
	13 300165	PLASTİK 90° CAM ÇİTASI (8 mm) PLASTIC 90° GLAZING BEAD (8 mm)	CB40-CÇ.165	1 pk / 50 ad
	13 300162	PLASTİK CAM ÇİTASI ÇİFT TARAFLI (8 mm) DOUBLE SIDED PLASTIC GLAZING BEAD (8 mm)	CB40-PC.162	1 pk / 50 ad
	13 300163	PLASTİK CAM ÇİTASI ÇİFT TARAFLI (10 mm) DOUBLE SIDED PLASTIC GLAZING BEAD (10 mm)	CB40-PC.163	1 pk / 40 ad
	13 300161	PLASTİK CAM ÇİTASI (10 mm) PLASTIC GLAZING BEAD (10 mm)	CB40-PC.161	1 pk / 40 ad
	03 050712	FIRÇA FİTİLİ (6.8 - 10 mm) WEATHER STRIP (6.8 - 10 mm)	CB40-FÇ.712	200 mt / 1 pk 10 kg
	03 050713	FIRÇA FİTİLİ (6.8 - 12 mm) WEATHER STRIP (6.8 - 12 mm)	CB40-FÇ.713	200 mt / 1 pk 10 kg
	13 300135	ÇIKIŞ U'SU (PLASTİK) EXIT U (PLASTIC)	CB40-CU.135	1 pk / 100 ad
	13 300131	90° KÖŞE DÖNÜŞ KAPAĞI (PLASTİK) 90° CORNER COVER (PLASTIC)	CB40-CK.131	1 pk / 100 ad
	13 300133	22,5° DÖNÜŞ KAPAK (PLASTİK) 22,5° JOINT COVER (PLASTIC)	CB40-CK.133	1 pk / 100 ad
	13 300124	OVAL DÖNÜŞ KAPAK (PLASTİK) OVAL CORNER COVER (PLASTIC)	CB40-CK.134	1 pk / 100 ad

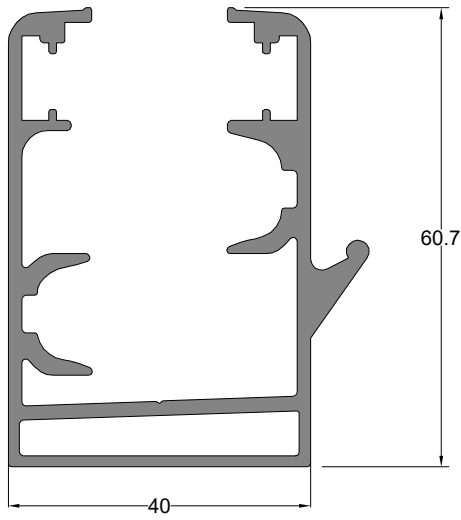
AKSESUAR ACCESSORY	STOK KODU REFERENCE CODE	AKSESUAR ADI DESCRIPTION	AKSESUAR KODU PRODUCT CODE	PAKET PACK
	AKS2717	BİTİM KAPAĞI-SAĞ (PLASTİK) END COVER-RIGHT (PLASTIC)	CB40-CK.132	1 pk / 100 ad
	AKS2734	BİTİM KAPAĞI-SOL (PLASTİK) END COVER-LEFT (PLASTIC)	CB40-CK.151	1 pk / 100 ad
	AKS2715	ARA KAPAK-SAĞ (PLASTİK) MIDDLE COVER-RIGHT (PLASTIC)	CB40-CK.130	1 pk / 100 ad
	AKS2735	ARA KAPAK-SOL (PLASTİK) MIDDLE COVER-LEFT (PLASTIC)	CB40-CK.152	1 pk / 100 ad
	AKS2720	DİKME TAKOZU STRUT WEDGE	CB40-DT.136	1 pk / 100 ad
	AKS2708	PARK KANAT TEKERİ SASH STOPPING ROLLER	CB40-PKT.200	1 pk / 50 ad
	AKS2709	DÜZ KANAT TEKERİ FLAT SASH ROLLER	CB40-DKT.201	1 pk / 50 ad
	AKS2721	KÖŞE MAFSAL CORNER JOINT	CB40-KM.137	1 pk / 100 ad
	AKS2711	CAM BALKON BOYNUZ GLAZING BALCONY HORN	CB40-CB.120	1 pk / 50 ad
	AKS2724	2'Lİ BAKLA 2 SLOTTED LINK	CB40-BK.140	1 pk / 100 ad
	AKS2725	3'LÜ BAKLA 3 SLOTTED LINK	CB40-BK.141	
	AKS2726	4'LÜ BAKLA 4 SLOTTED LINK	CB40-BK.142	
	AKS2727	5'Lİ BAKLA 5 SLOTTED LINK	CB40-BK.143	
	AKS2728	6'Lİ BAKLA 6 SLOTTED LINK	CB40-BK.144	
	AKS2729	7'Lİ BAKLA 7 SLOTTED LINK	CB40-BK.145	
	AKS2730	9'Lİ BAKLA 9 SLOTTED LINK	CB40-BK.147	
	AKS1812	İSPANYOLET - 80 cm ESPAGNOLETTE - 80 cm	CB40 - İSP.452	1 ad / 1 pk
	AKS1813	İSPANYOLET - 100 cm ESPAGNOLETTE - 100 cm	CB40 - İSP.453	
	AKS1814	İSPANYOLET - 120 cm ESPAGNOLETTE - 120 cm	CB40 - İSP.454	
	AKS1815	İSPANYOLET - 140 cm ESPAGNOLETTE - 140 cm	CB40 - İSP.455	
	AKS1816	İSPANYOLET - 160 cm ESPAGNOLETTE - 160 cm	CB40 - İSP.456	
	AKS1817	İSPANYOLET - 180 cm ESPAGNOLETTE - 180 cm	CB40 - İSP.457	
1 TAKIM İÇERİĞİ 	AKS8757	İSPANYOLET KOL SETİ ESPAGNOLETTE HANDLE SET 1 SET İÇİNDE 6 TAKIM BULUNMAKTADIR 6 SETS IN 1 SET AVAILABLE	CB40 - İKS.40	6 takım / 1 pk



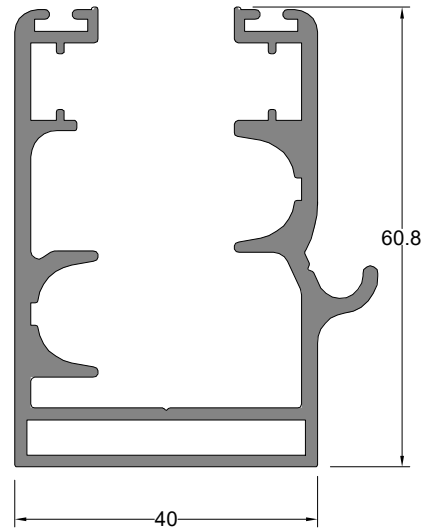
Kasa Profili	Profil Kodu	(kg/mt)
FRAME PROFILE	Profile Code	Weight
	3962	1,475



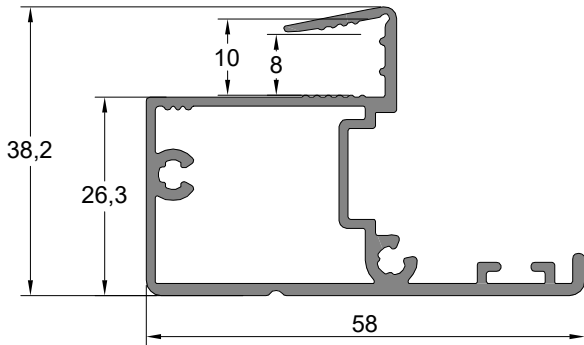
Kasa Profili	Profil Kodu	(kg/mt)
FRAME PROFILE	Profile Code	Weight
	10283	1,339



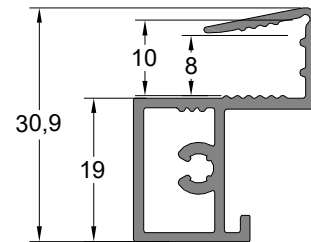
Damlalıklı Kasa Profili	Profil Kodu	(kg/mt)
SILL FRAME PROFILE	Profile Code	Weight
	11721	1,468



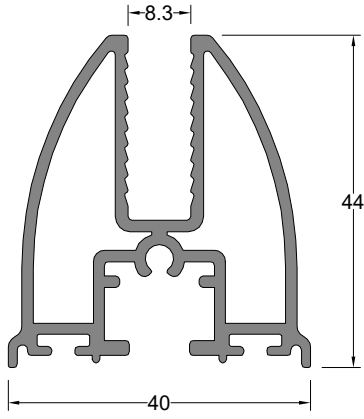
Damlalıklı Kasa Profili	Profil Kodu	(kg/mt)
SILL FRAME PROFILE	Profile Code	Weight
	5883	1,511



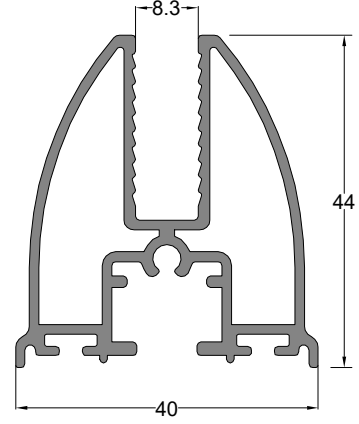
İspanyoletli Kanat Profili	Profil Kodu	(kg/mt)
ESPAGNOLETTE SASH PROFILE	Profile Code	Weight
	14125	0,772



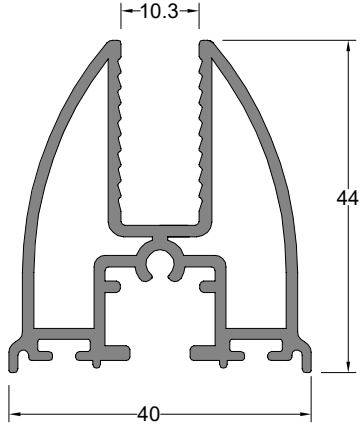
Karşılık Profili	Profil Kodu	(kg/mt)
OPPOSITE PROFILE	Profile Code	Weight
	14126	0,411



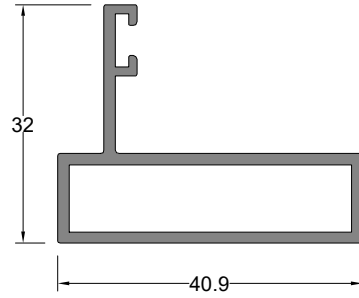
Kanat Profili	Profil Kodu	(kg/mt)
SASH PROFILE	Profile Code	Weight
	3961	0,993



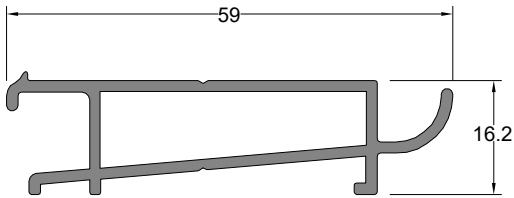
Kanat Profili	Profil Kodu	(kg/mt)
SASH PROFILE	Profile Code	Weight
	10282	0,887



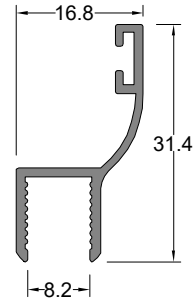
Kanat Profili	Profil Kodu	(kg/mt)
SASH PROFILE	Profile Code	Weight
	3990	0,991



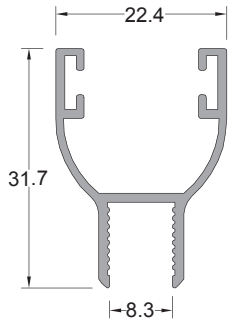
Yan Dikme Profili	Profil Kodu	(kg/mt)
SIDE POLE PROFILE	Profile Code	Weight
	3045	0,515



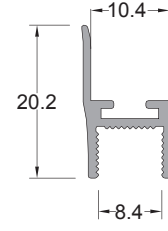
Damlalık Profili	Profil Kodu	(kg/mt)
SILL PROFILE	Profile Code	Weight
	7617	0,538



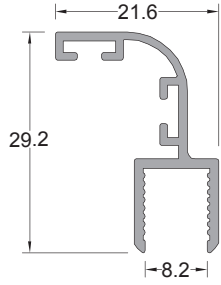
Cam H Profili (8 mm)	Profil Kodu	(kg/mt)
GLAZING H PROFILE (8 mm)	Profile Code	Weight
	6798	0,204



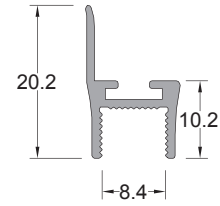
Cam H Profili (8 mm)	Profil Kodu Profile Code	(kg/mt) Weight
GLAZING H PROFILE (8mm)	6799	0,292



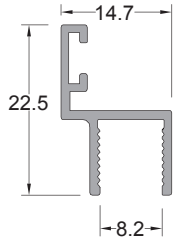
Cam H Profili (8 mm)	Profil Kodu Profile Code	(kg/mt) Weight
GLAZING H PROFILE (8mm)	7326	0,169



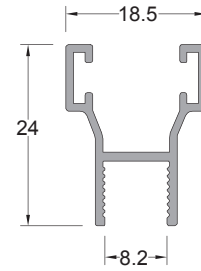
90° Dönüş Profili (8mm)	Profil Kodu Profile Code	(kg/mt) weight
90° GLAZING H PROFILE (8mm)	6800	0,254



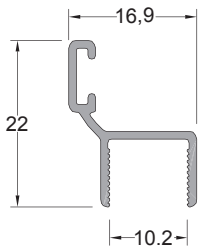
Cam H Profili (8mm)	Profil Kodu Profile Code	(kg/mt) weight
GLAZING H PROFILE (8mm)	7327	0,142



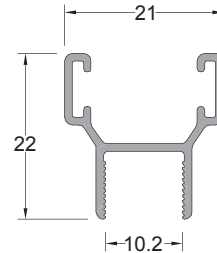
Cam H Profili (8mm)	Profil Kodu Profile Code	(kg/mt) weight
GLAZING H PROFILE (8mm)	7861	0,163



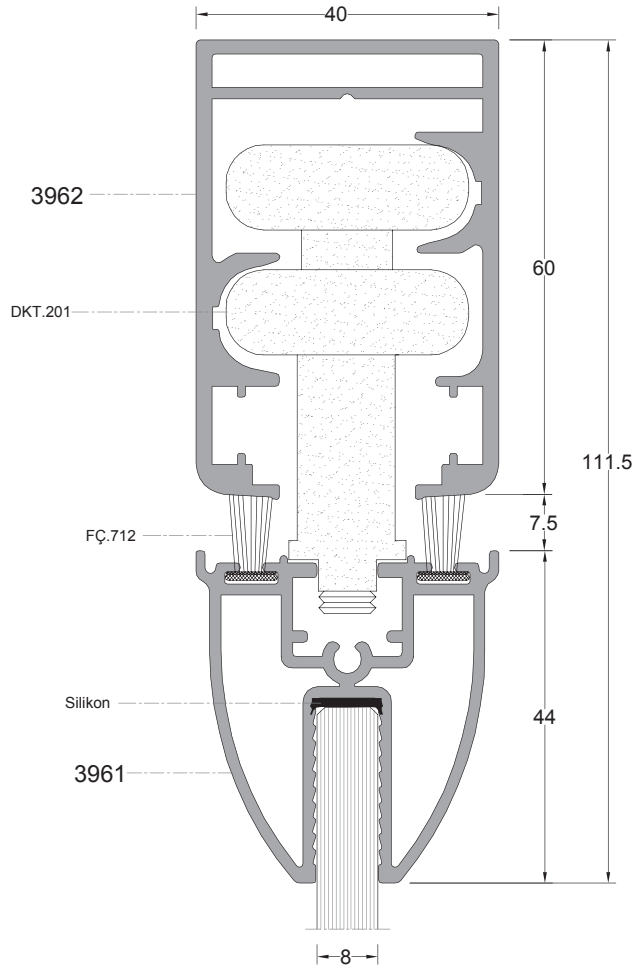
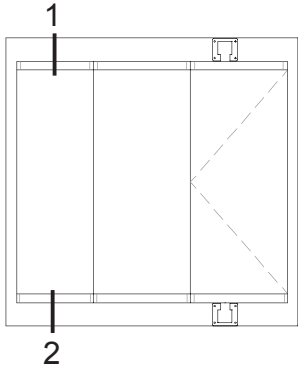
Cam H Profili (8mm)	Profil Kodu Profile Code	(kg/mt) weight
GLAZING H PROFILE (8mm)	7860	0,209



Cam H Profili (10mm)	Profil Kodu Profile Code	(kg/mt) weight
GLAZING H PROFILE (10mm)	8767	0,144



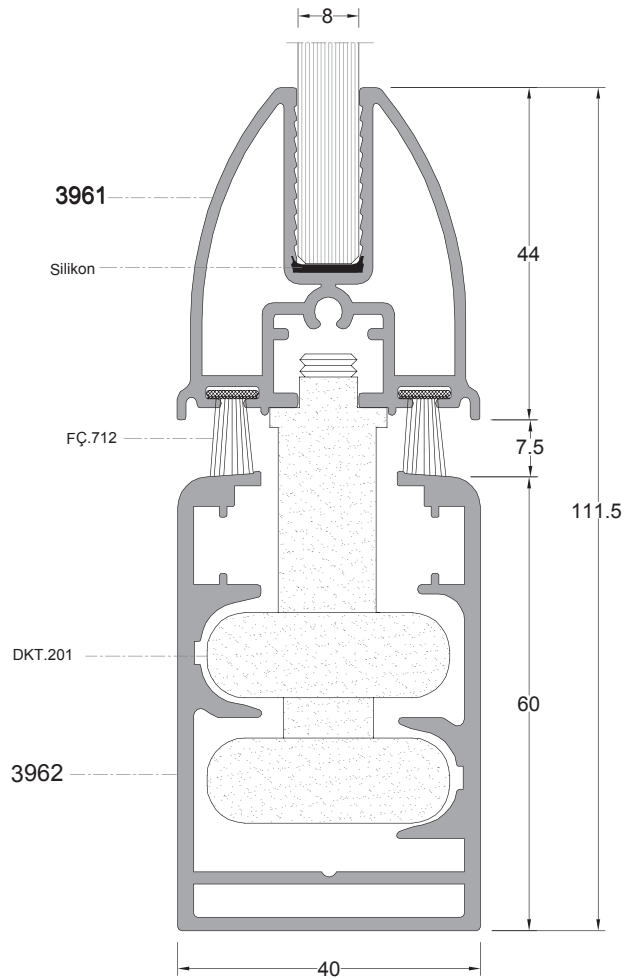
Cam H Profili (10mm)	Profil Kodu Profile Code	(kg/mt) weight
GLAZING H PROFILE (10mm)	8766	0,196



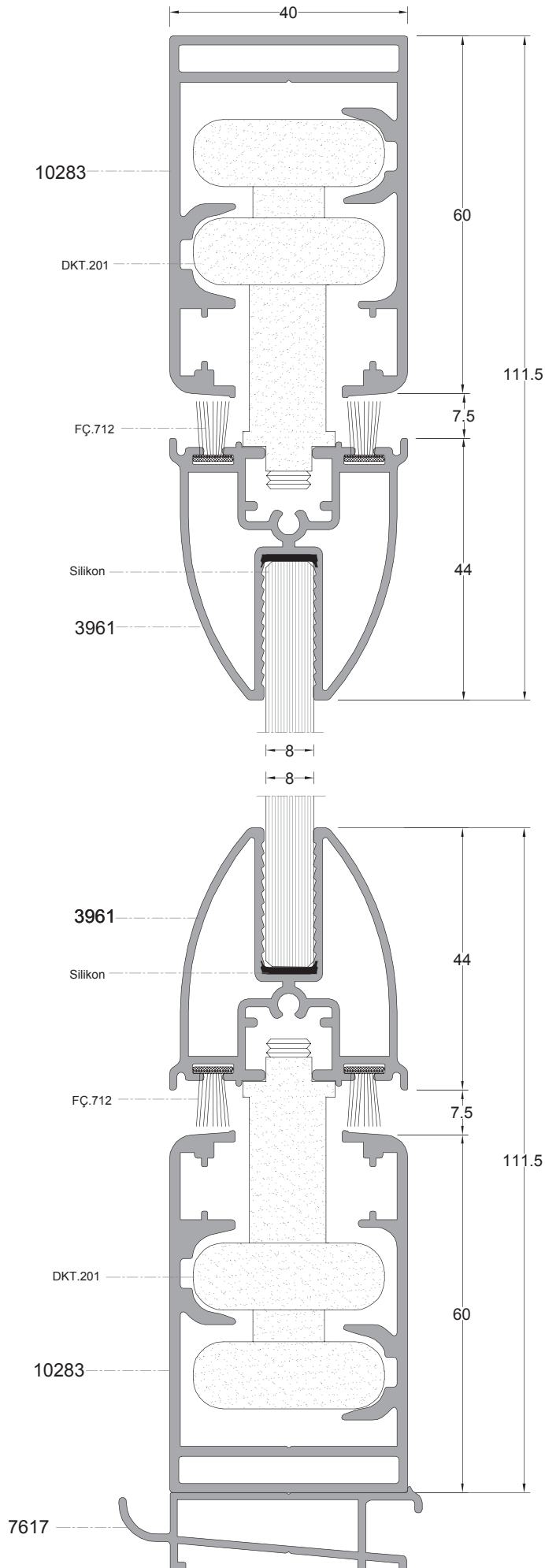
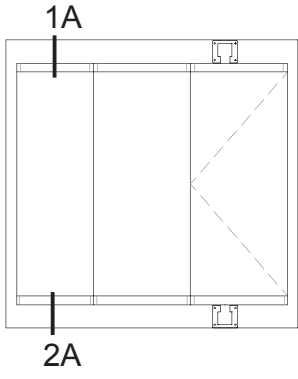
D-1

İÇ
(INSIDE)

DIŞ
(OUTSIDE)

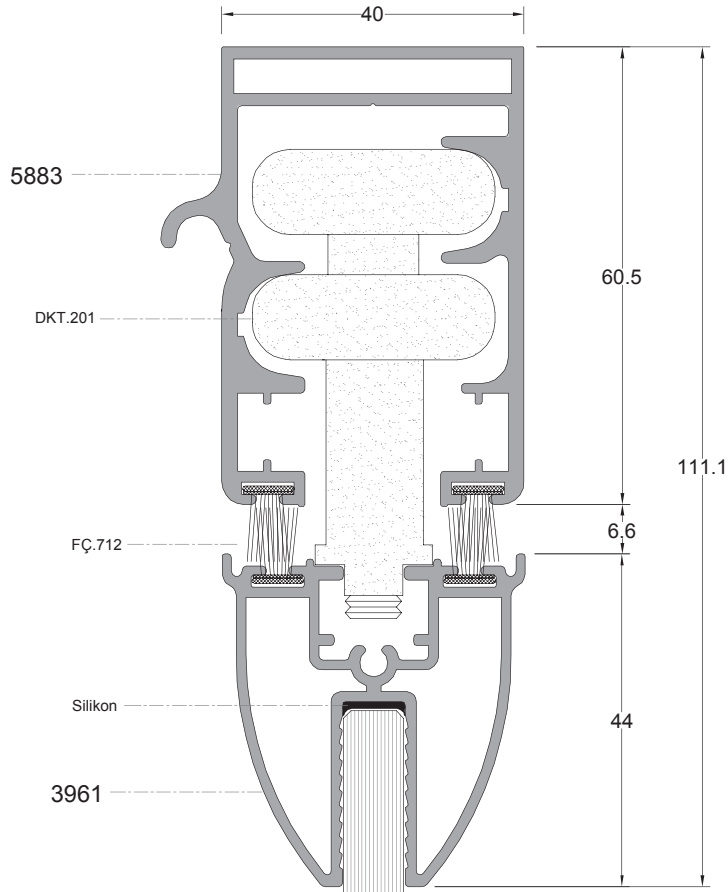
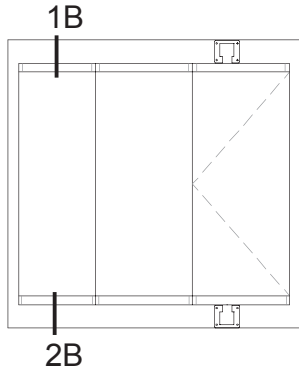


D-2



D-1A

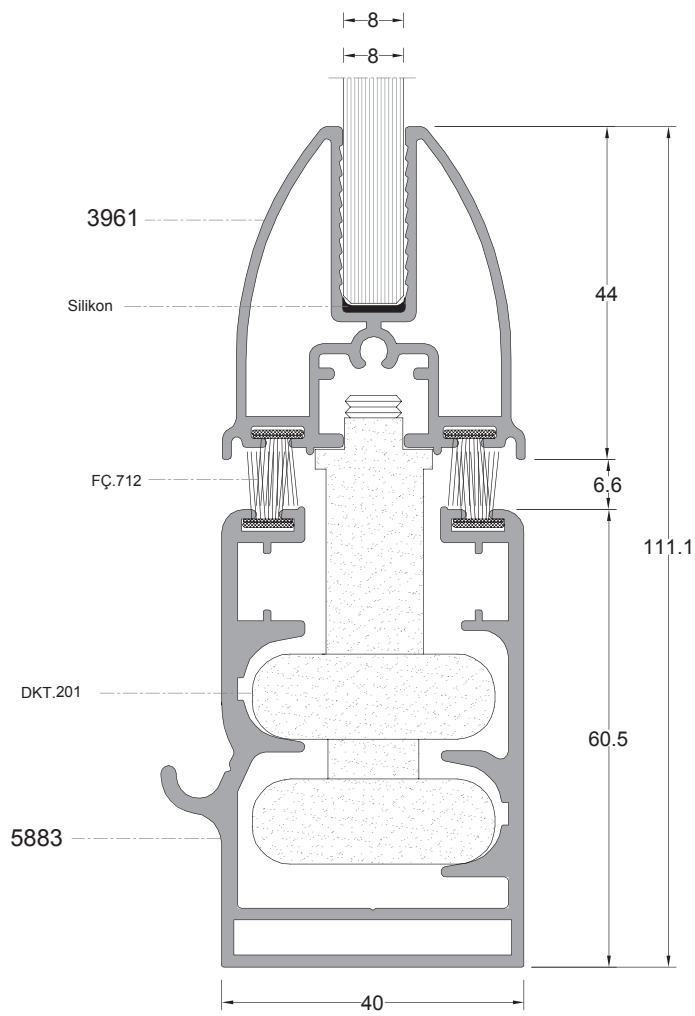
D-2A



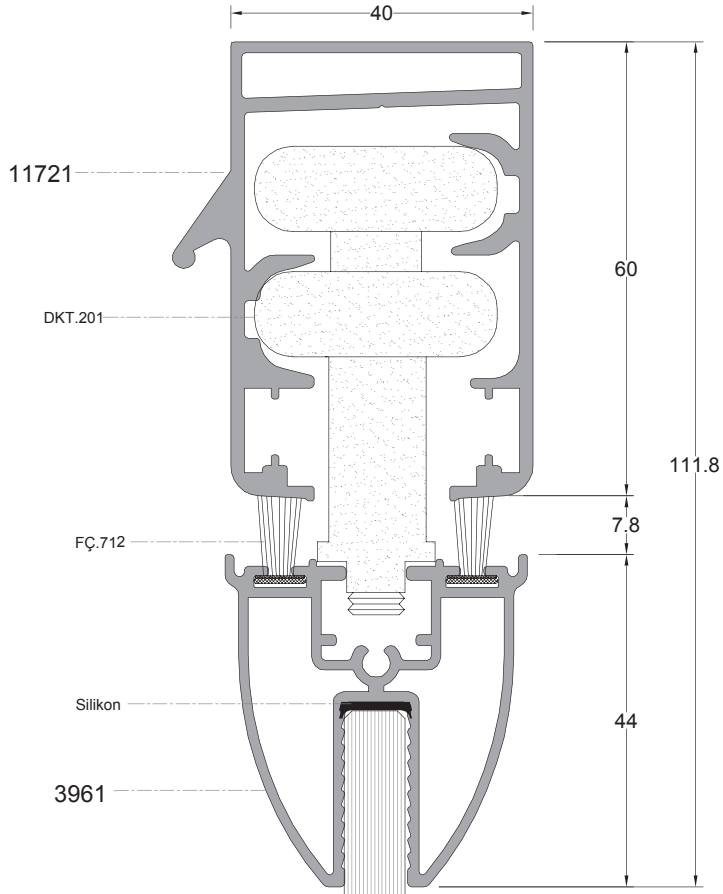
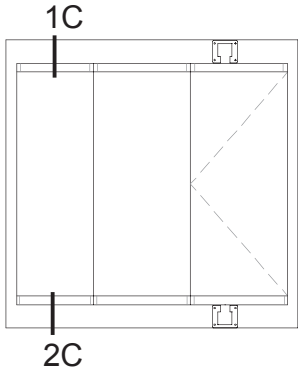
D-1B

İÇ
(INSIDE)

DIŞ
(OUTSIDE)



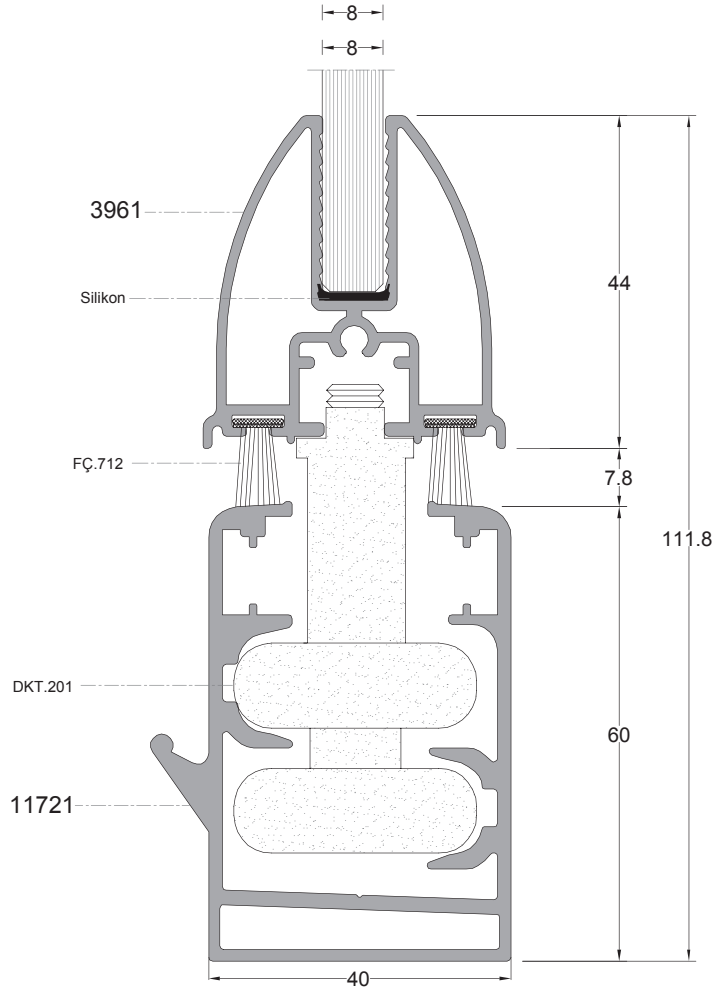
D-2B



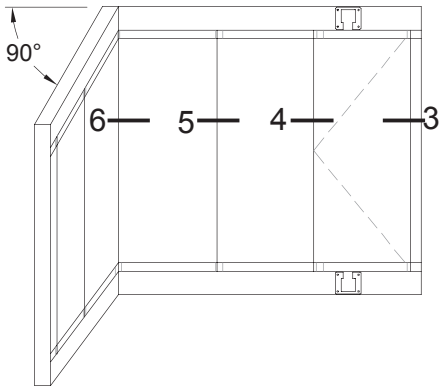
D-1C

İÇ
(INSIDE)

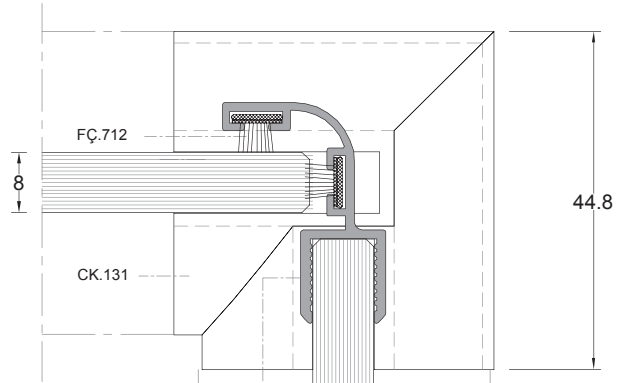
DIŞ
(OUTSIDE)



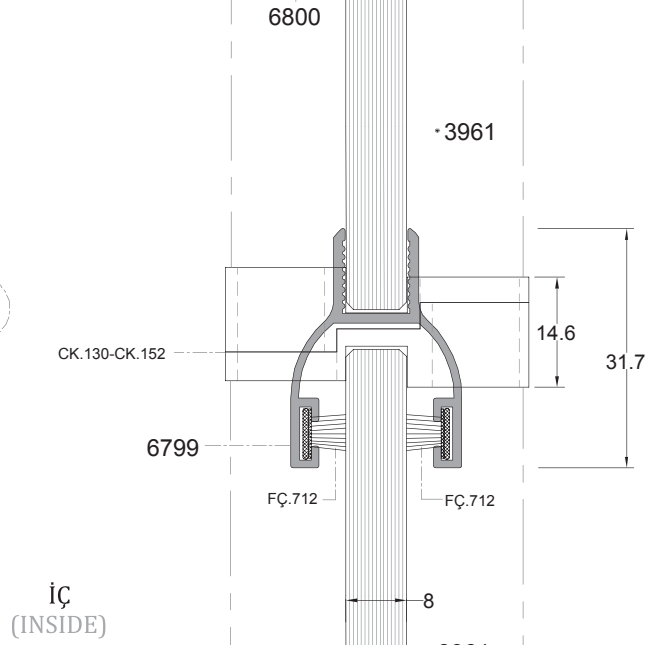
D-2C



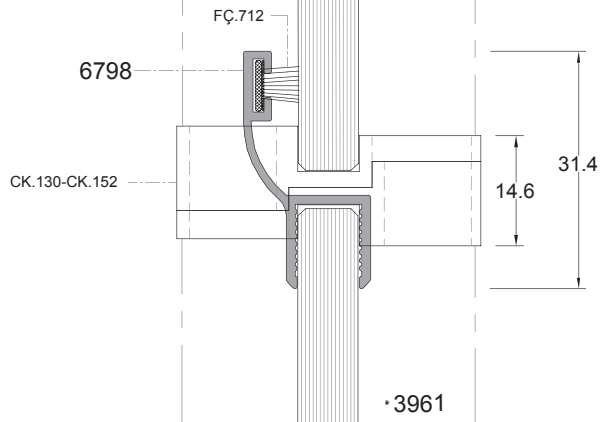
D-6



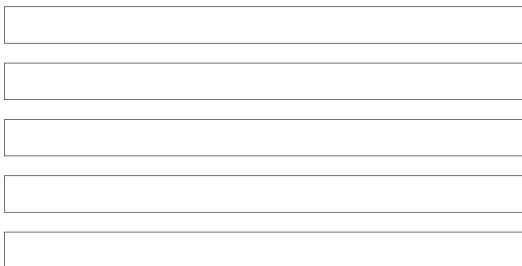
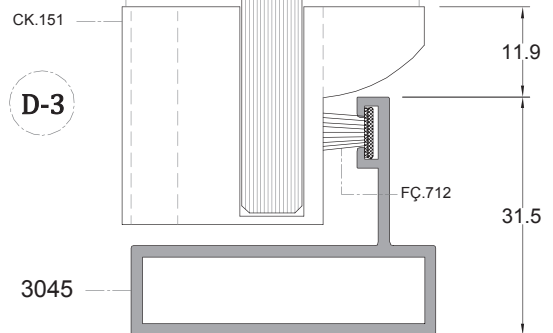
D-5

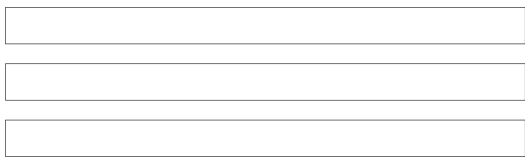
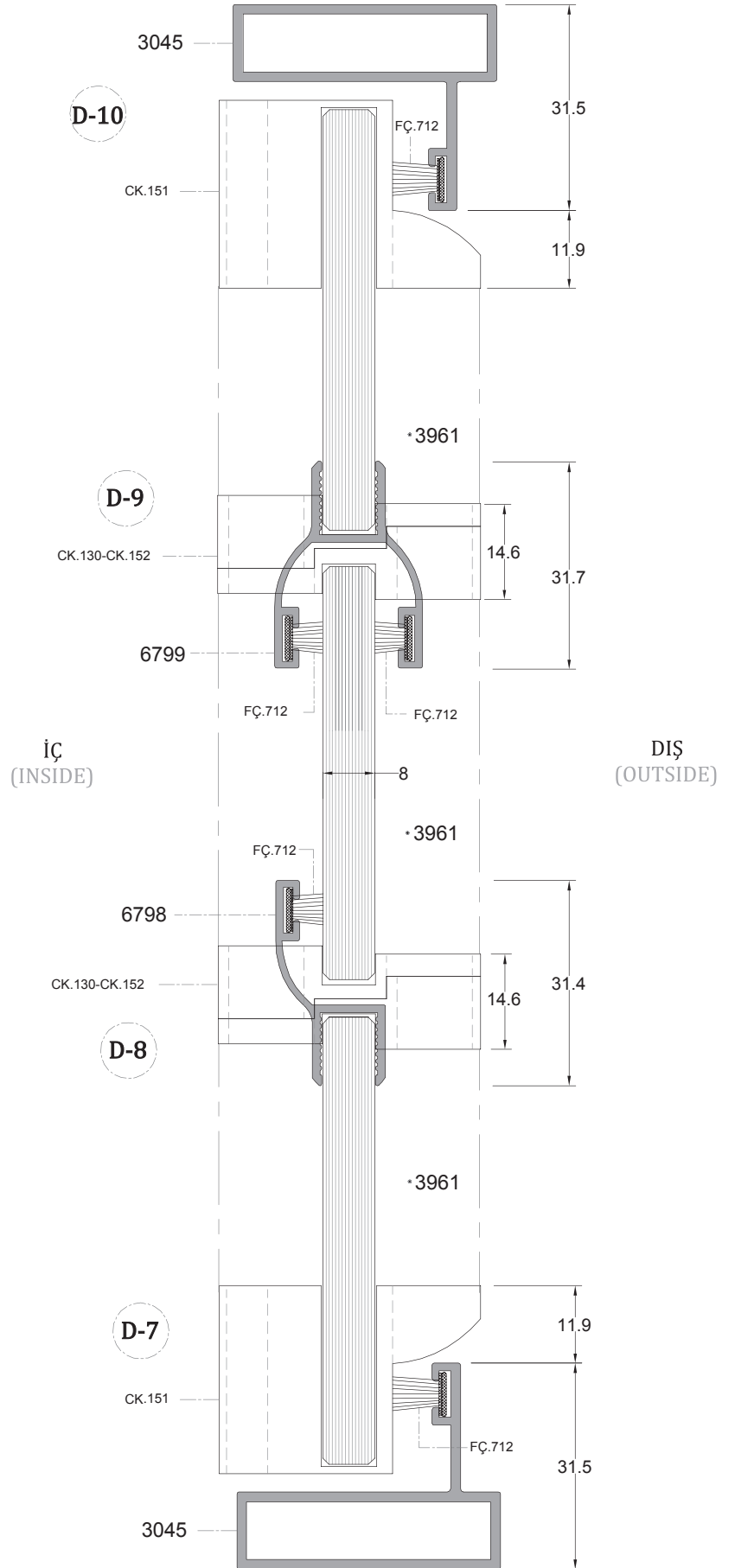
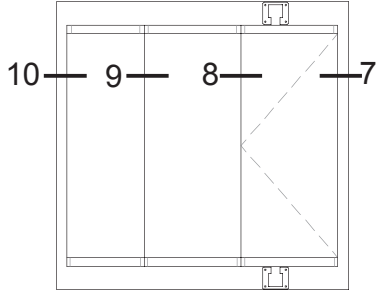


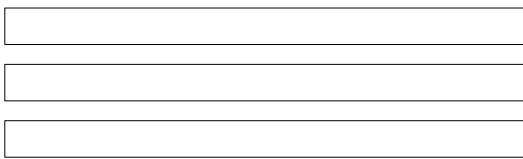
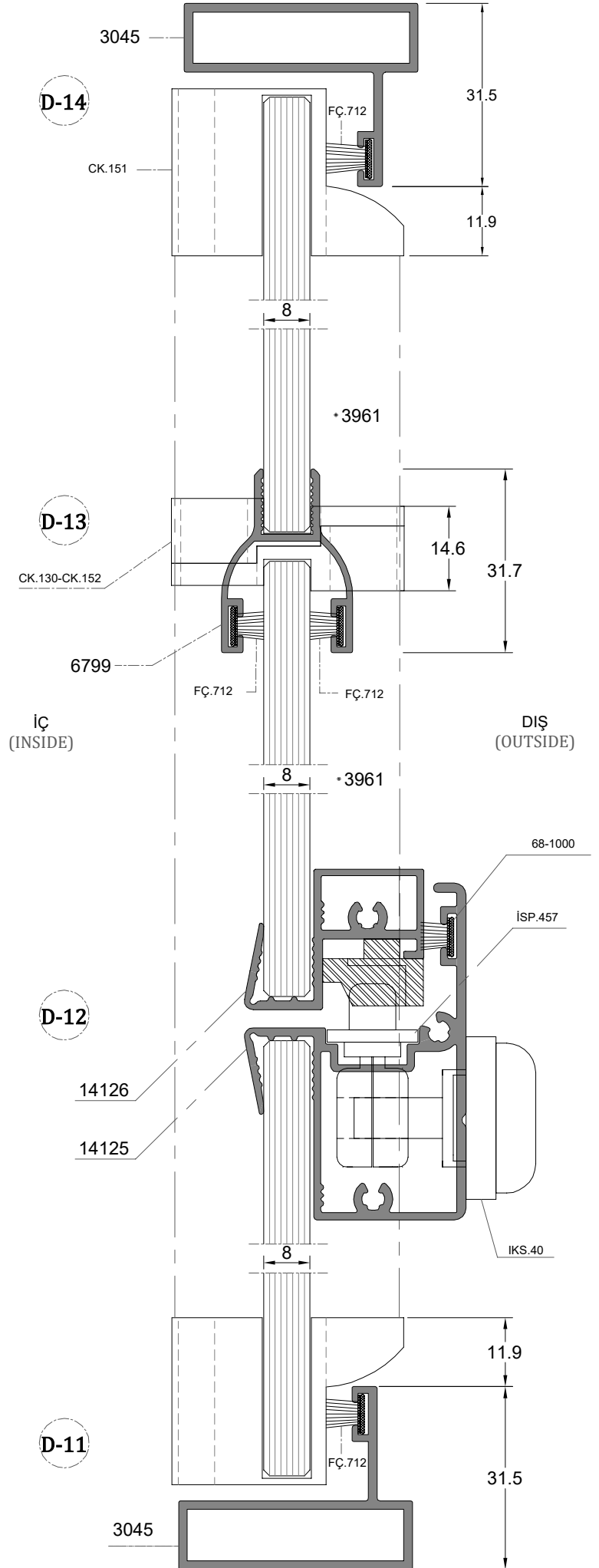
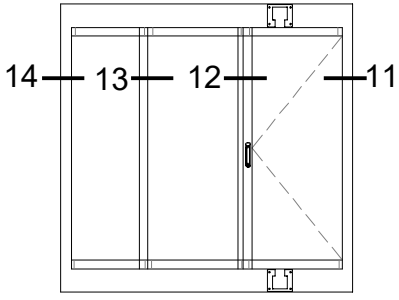
D-4

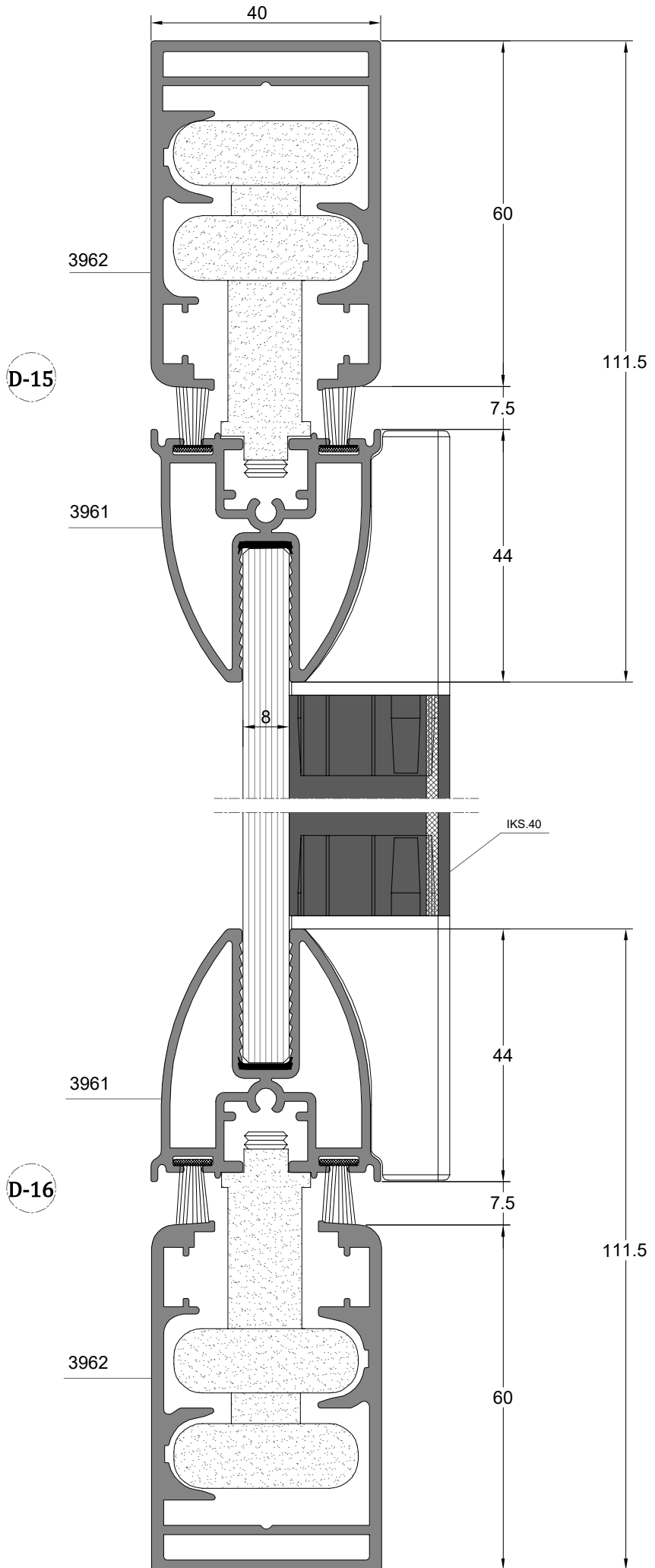
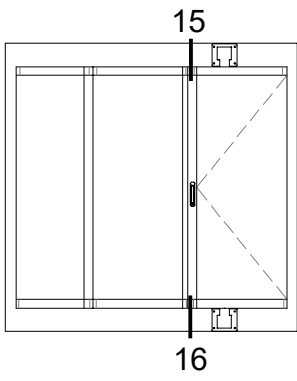


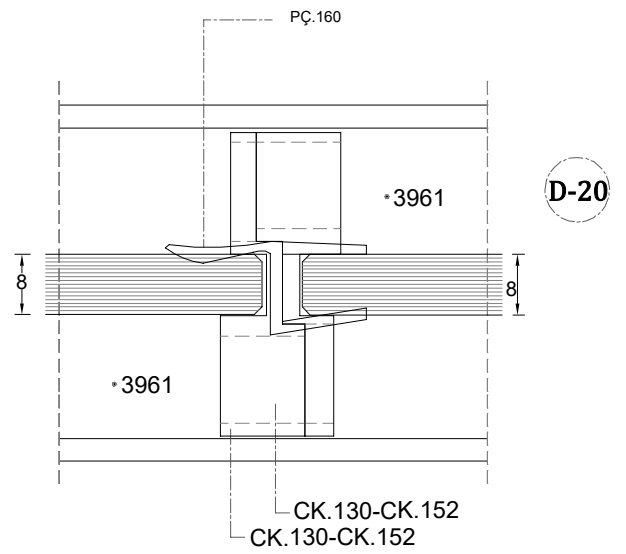
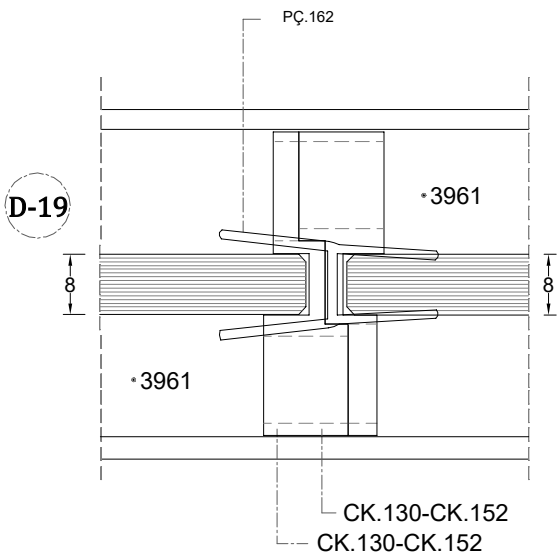
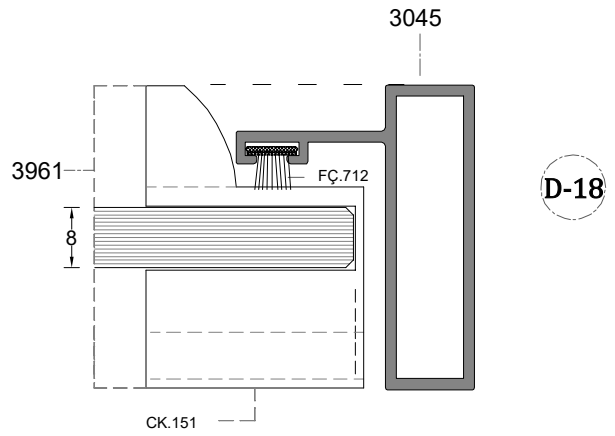
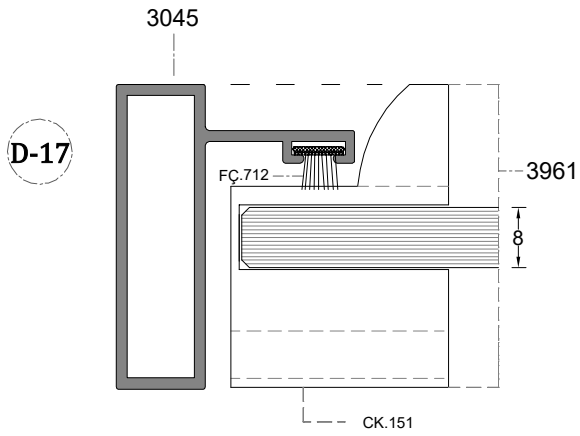
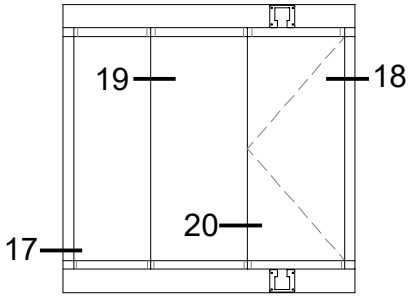
D-3

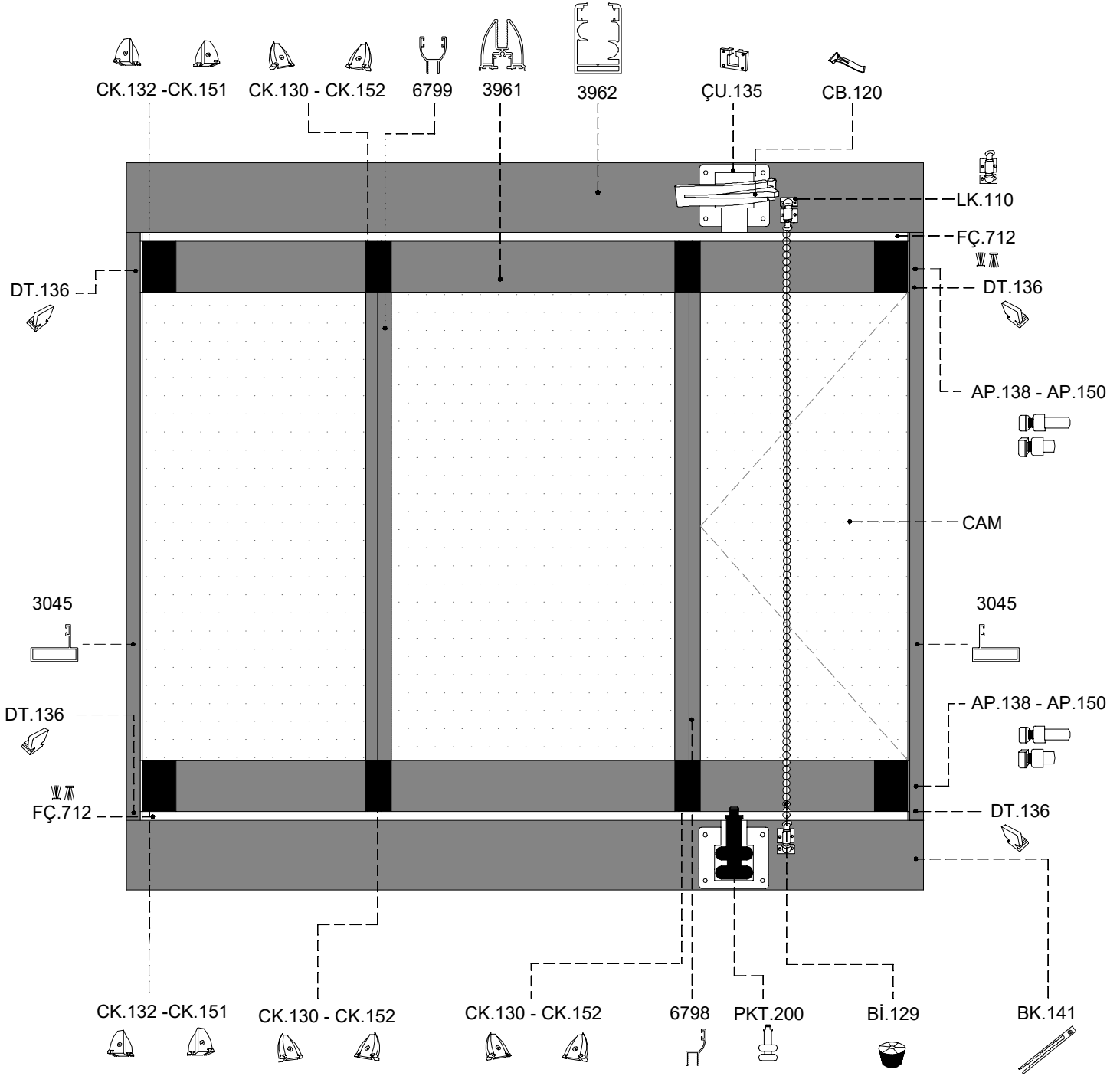


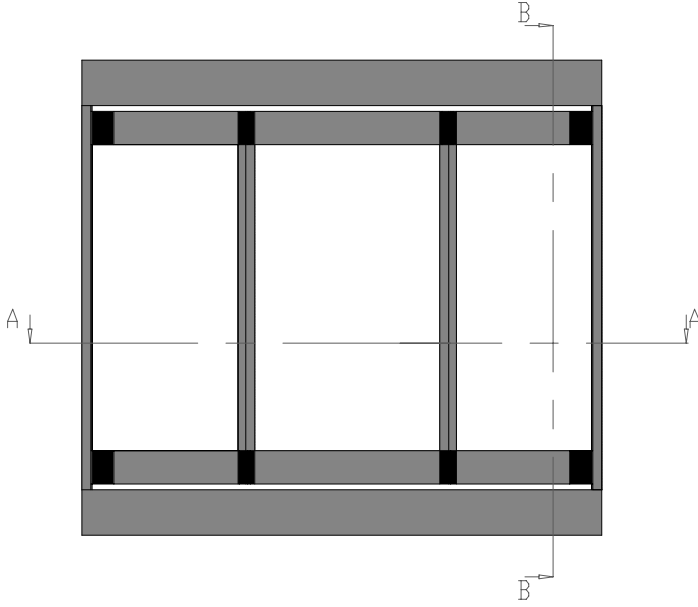











PROFİLLER / PROFILES

Kod Code	Çizim Drawing	Kesim Cut	Miktar Quantity	Ölçüler Dimensions
11721 Kasa Frame			2Pcs / Adet	L
3045 Yan Kasa Side Frame			2Pcs / Adet	H-120
10282 Kanat Profili Sash Profile			6Pcs / Adet	GL-10
6798 Cam H Profili Glazing H Profile			1Pcs / Adet	GH-23
6799 Cam H Profili Glazing H Profile			1Pcs / Adet	GH-23

CAM / GLAZING

Kod Code	Çizim Drawing	Miktar Quantity	Ölçüler Dimensions
CAM GLAZING		3 Pcs / Adet	$GL = \frac{L-40-((A-1) \times 5)}{A(\text{KANAT ADETİ})}$ GH = H-180

CAM ÖLÇÜLERİ EŞİT KABUL EDİLEREK FORMÜLE EDİLMİŞTİR.
 GLAZING DIMENSIONS ARE ASSUMED TO BE EQUAL.

